

* Remote condenser shown with optional guard

Features

- Lightweight construction and an aluminum coil help reduce weight by nearly 20% compared to previous models.
- Condenser fits through a standard 30" x 36" roof hatch for ease of installation.
- Easy assembly and installation with innovative legs.
- More efficient motor reduces energy usage by 25% - 50%.
- Environmentally responsible – all remote condensers use R404A, an approved non-ozone depleting refrigerant.
- Constructed from sturdy, corrosion-resistant galvanized steel.
- Reduces air conditioning requirements and cost.
- Fan is located outside, ensuring quiet operation for customers.

Required Accessories

Model Number	Description	Shipping Weight lbs (kg)
RL404-25 / RT-325-404	25 ft (7.6 m) Precharged Tubing Kit for R404A Models	13 (6)
RL404-40 / RT-340-404	40 ft (12.0 m) Precharged Tubing Kit for R404A Models	18 (8)
RL404-75 / RT-375-404	75 ft (22.9 m) Precharged Tubing Kit for R404A Models	36 (16)
GRILL10	Optional Grill Guard Kit for RCA1001, RCA1061, RGA0501HM and RGA1061HM	8 (3.6)
GRILL20	Optional Grill Guard Kit for RCA2061 and RCA3561	12 (5.4)
GRILL30	Optional Grill Guard Kit for RCA3061	10 (4.5)

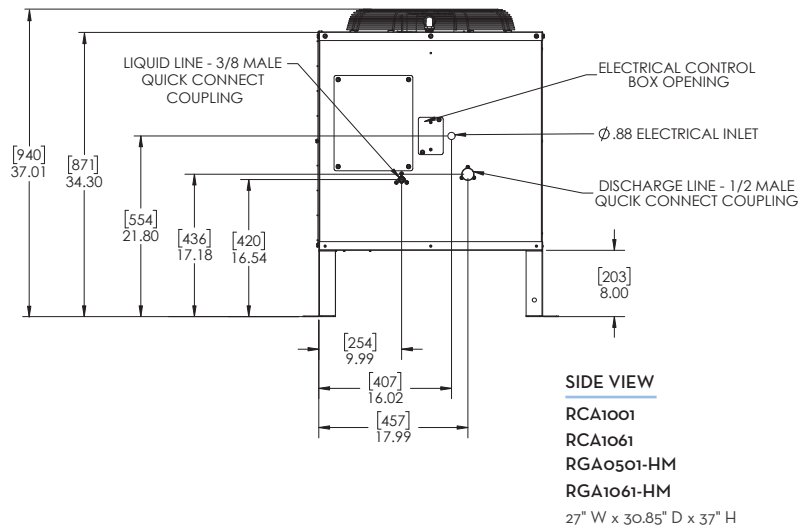
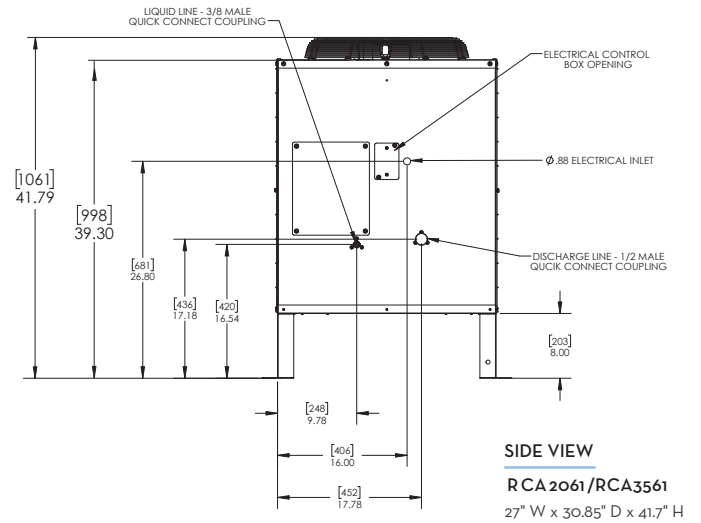
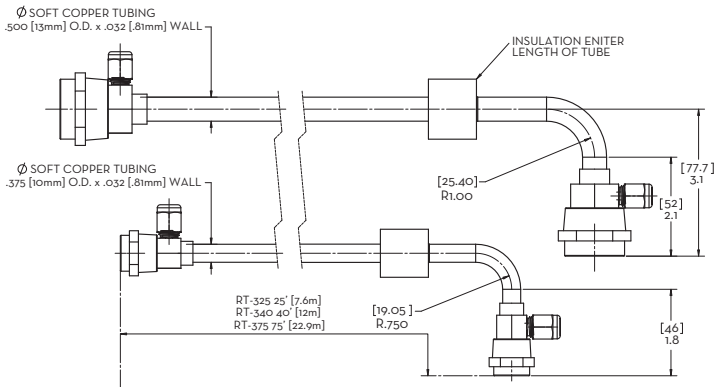
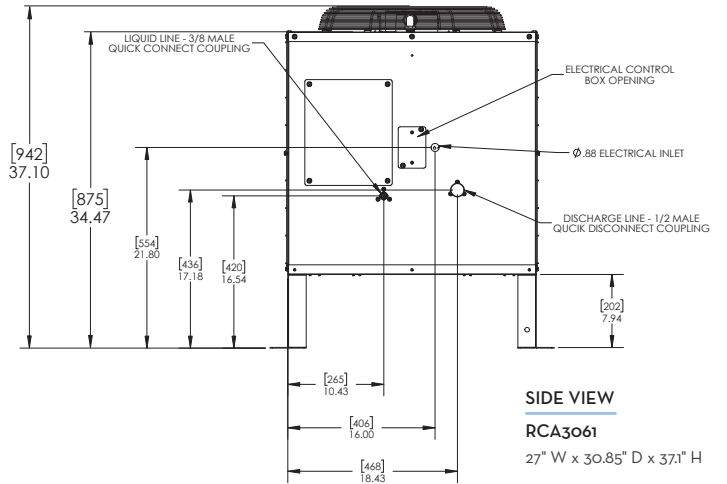
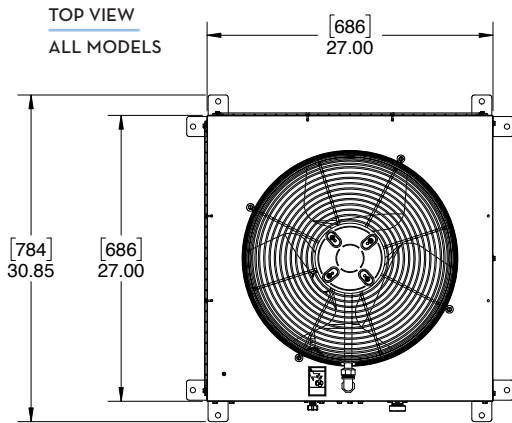
Specifications

Model Number	Description	Voltage Characteristics	Fan Watts	Shipping Weight lbs (kg)	*Circuit Breaker
RCA1001	Remote Condenser for model CIM0530R	115/60/1	93	97 (44)	15 amps
RCA1061	Remote Condenser for models CIM0535R, CIM0636R	208-230/50-60/1			
RCA2061	Remote Condenser for models CIM0825R, CIM0826R, CIM0835R, CIM0836R, CIM1125R, CIM1126R, CIM1135R, CIM1136R, GEM2006R, MFI2306R			111 (50)	
RCA3061	Remote Condenser for models CIM1446R, CIM1447R, CIM1545R, CIM1845R, ICE1506R			119 (54)	
RCA3561	Remote Condenser for models CIM2046R, CIM2047R			115 (52)	
RGA0501-HM	Remote Condenser for models GEM0650R, MFI0800R			115/60/1	
RGA1061-HM	Remote Condenser for models GEM0956R, GEM1306R, MFI1506R, MFI1256R	208-230/50-60/1			

* If on separate circuit from ice machine head.

Operating Requirements

	MINIMUM	MAXIMUM
Remote Condenser Temp.	-20°F (-29°C)	120°F (50°C)



NOTES:
Number of Wires: 3 (including ground)
Refrigerant Type: R404A

RCA/RGA REMOTE CONDENSERS